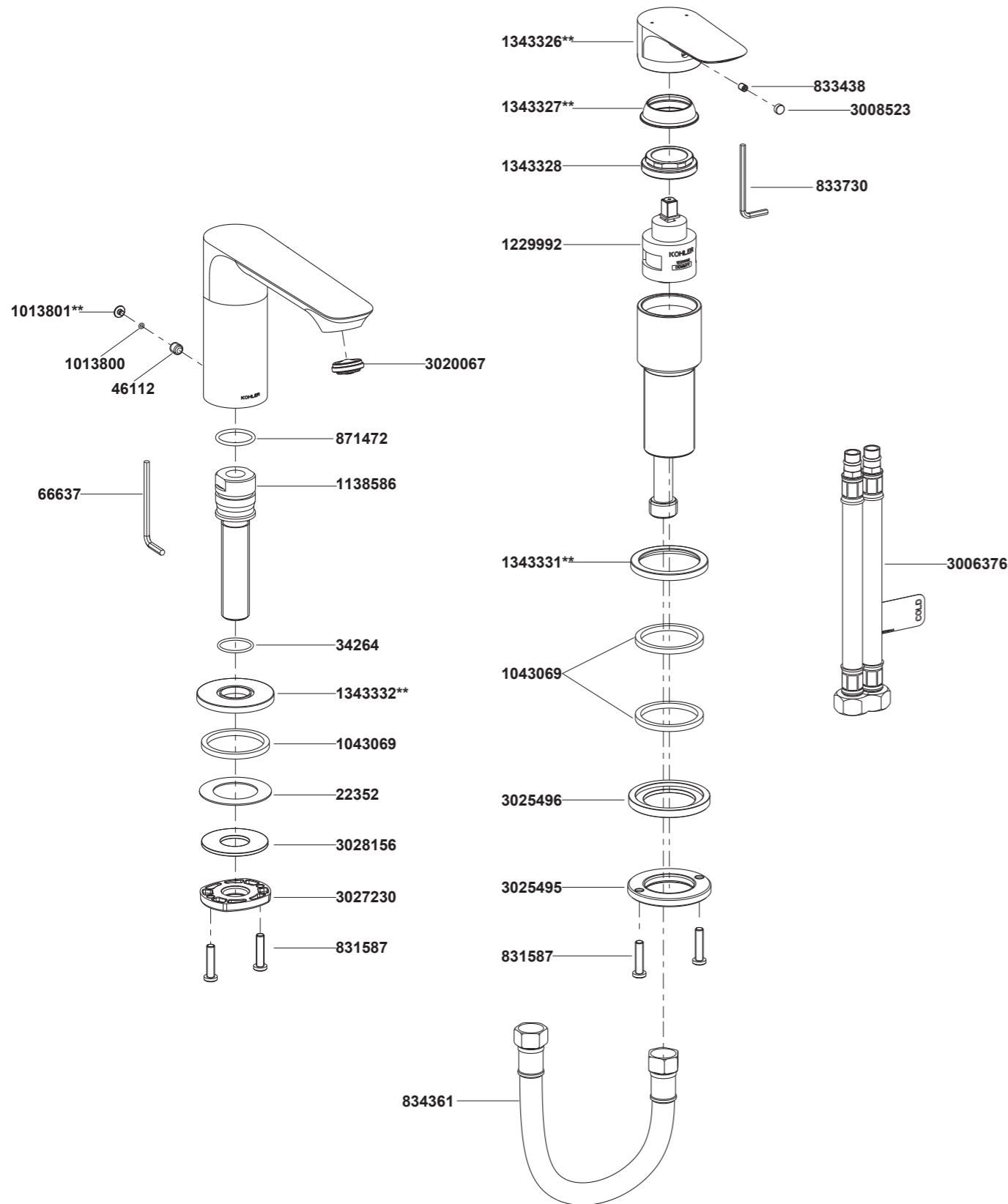


31235T-4 2 Hole Deck Mount Bath Faucet(S)



\*\*Color code must be specified when ordering.

31235T-4 2 Hole Deck Mount Bath Faucet(S)

**BEFORE YOU BEGIN**

All information is based on the latest product information available at the time of publication. Kohler Co. reserves the right to make changes in product characteristics, packaging, or availability at any time without notice.

Please leave these instructions for the consumer. They contain important information.

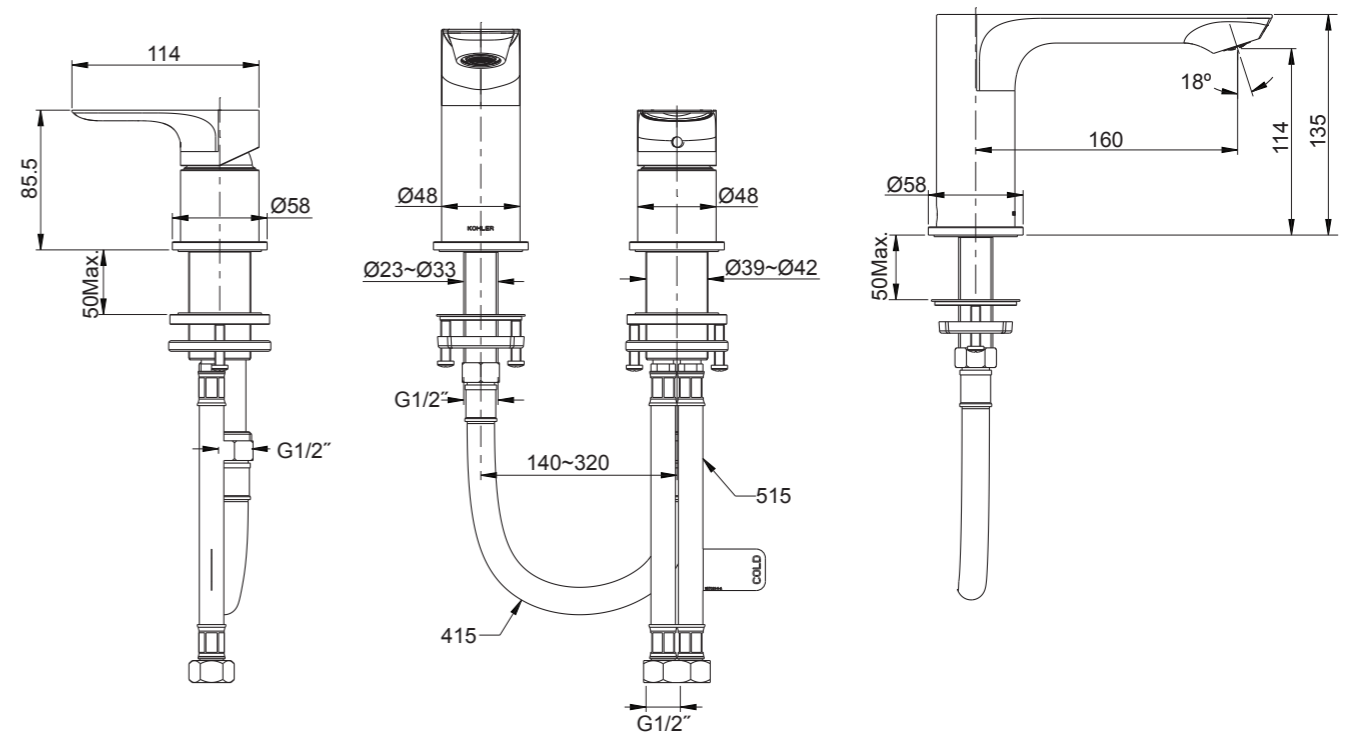
**NOTES:**

1. Flush the water supply pipes thoroughly to remove debris.
2. Inspect the supply tubing for damage and leakage. Replace and maintain as necessary.
3. Observe local plumbing codes.
4. If possible, install the faucet before installing the tub.

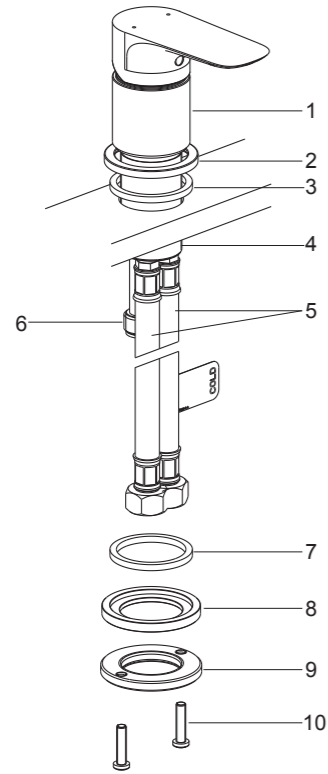
**HANDLE OPERATION**

Lift the handle gently. Turn clockwise for hot water, turn counter-clockwise for cold water.

**ROUGH-IN DIMENSIONS**



## INSTALLATION



### How to Install the Handle Kit

Put the washer(3) into the groove of the escutcheon(2). Install the escutcheon to the bottom of the handle kit(1). Insert the handle kit with hoses(5) into the mounting hole.

Put the washer(7) into the groove of the washer(8). Pre-install the screws(10) into the screw holes of the threaded ring(9). From underside of the bathtub, install the washer(8) and threaded ring(9) on the spout seat(4). Position the handle kit and keep it frontwards. Secure the handle kit by tightening the screws(10).

Attach the hoses(5) to the water supplies. The hose with "COLD" mark should be connected to cold water.

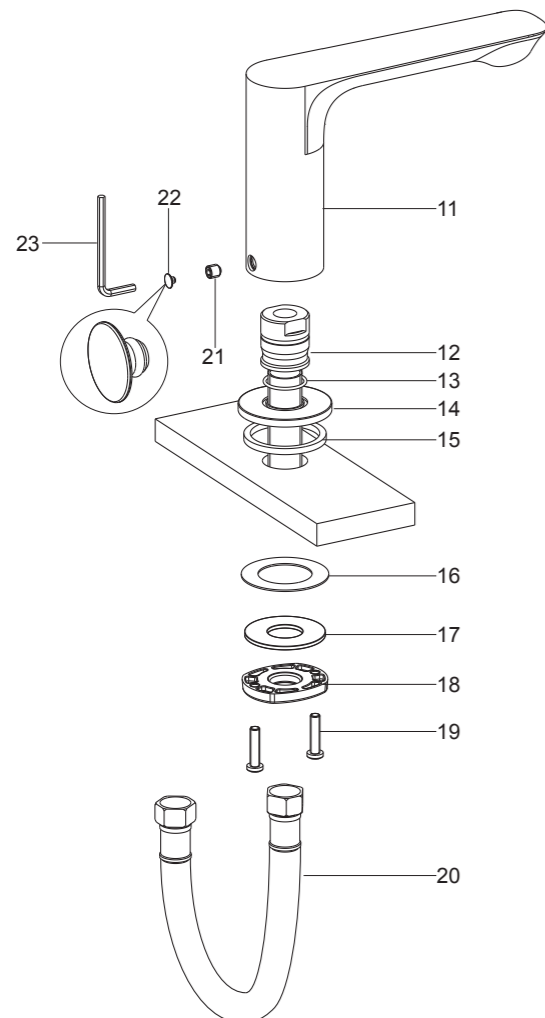
### How to Install the Spout

Put the O-ring(13) into the top groove of the escutcheon(14). Put the washer(15) into the bottom groove of the escutcheon. Slide the escutcheon with O-ring and washer onto the shank(12). Insert the shank into the mounting hole.

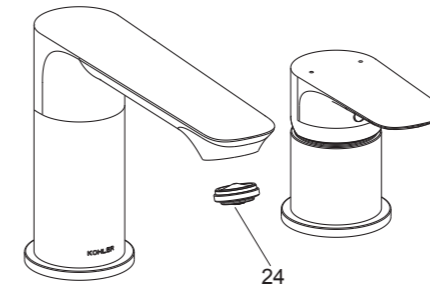
Pre-install the screws(19) into the screw holes of the threaded ring(18). From underside of the bathtub, install the fiber washer(16), steel washer(17) and threaded ring. Secure the shank by tightening the screws(19).

Press the spout(11) onto the shank. Position the spout and keep it frontwards. Align the screw(21) to the screw hole of the spout and then tighten it by hex wrench(23). Insert the plug(22). **NOTE:** Do not lose the O-ring in the plug.

Connect the shank and connector(6) with hose(20).



## INSTALLATION CHECKOUT



Ensure that all coupling nuts are tight.  
Ensure that the handle is in the off position.

Turn on the drain and main water supply, and check for leaks. Repair as needed.

Remove the aerator(24) by coin. Turn on the faucet. Run hot and cold water through spout for about one minute to remove any debris. Check for leaks. Shut off the faucet. Reinstall the aerator.

## CLEANING INSTRUCTIONS

All Finishes: Clean the finish with mild soap and warm water. Wipe entire surface completely dry with clean soft cloth. Many cleaners may contain chemicals, such as ammonia, chlorine, toilet cleaner etc, which could adversely affect the finish and are not recommended for cleaning.

Do not use abrasive cleaners or solvents on Kohler faucets and fittings.